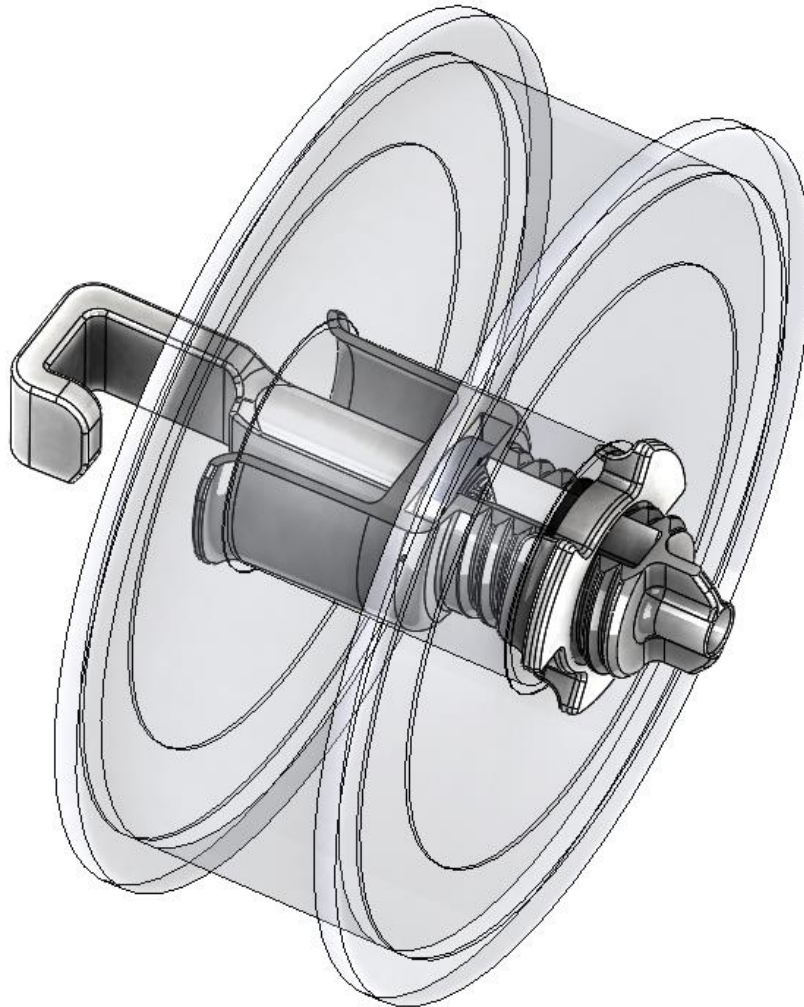


User Manual  
Spool holder – No friction

9 January 2018

Revision 1



# 1 Introduction

This is the assembly manual for the spoolholder with bearing.

Advantages of this spoolholder over the standard one.

- Less friction, especially beneficial for flexible filaments.
- Spools are properly fixed and cannot fall off, even when transporting the printer.
- Constant supply of filament resulting in better accuracy of printed object.

If you are unable to continue or have any questions, you can check at the support section of our website or you can contact us directly:

Website: [www.felixprinters.com/support](http://www.felixprinters.com/support)

Email: [support@felixprinters.com](mailto:support@felixprinters.com)

Telephone: +31 (0)30 30 31 387

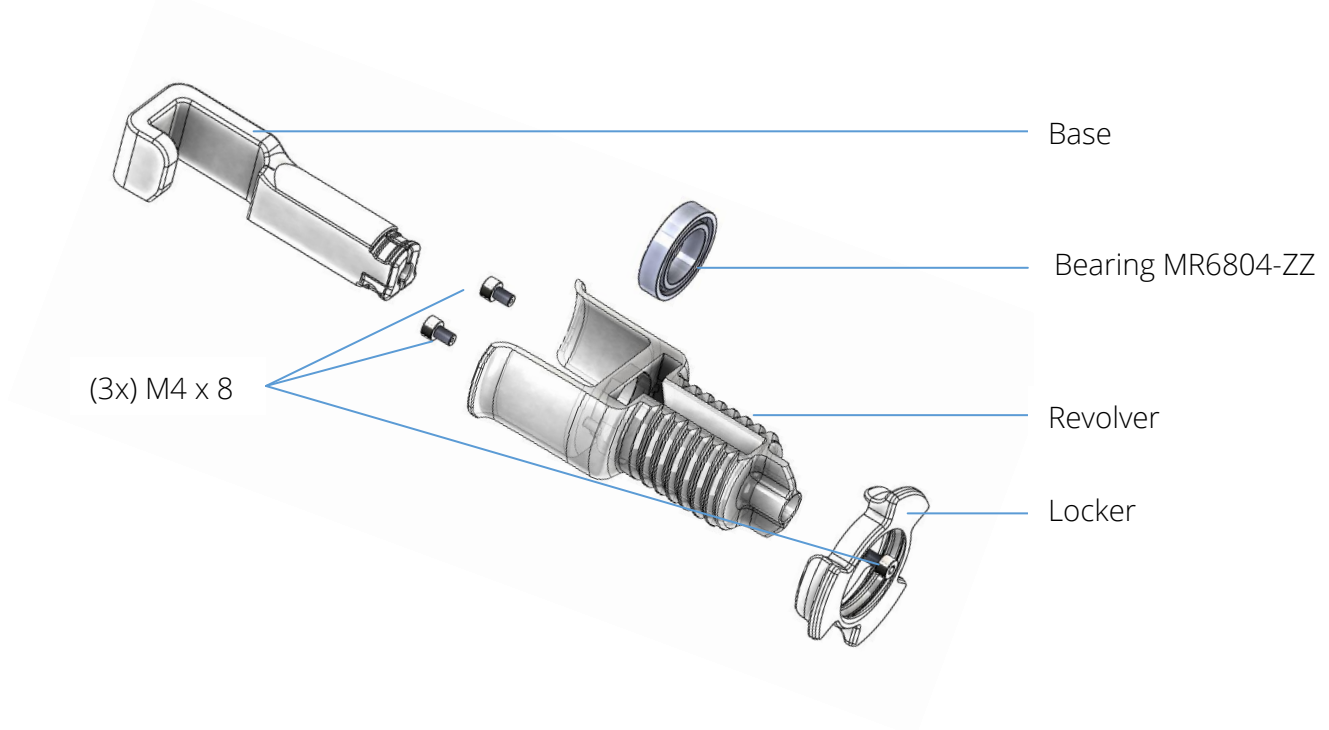
Address: Zeemanlaan 15, 3401MV IJsselstein, The Netherlands

Kind regards,

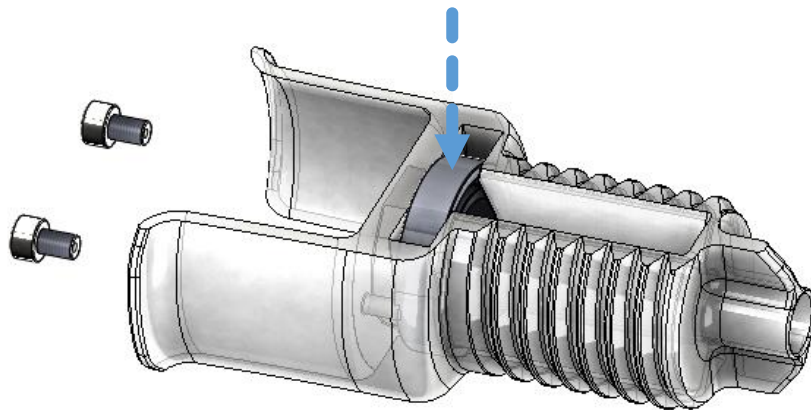
FELIXprinters

## 2 Assembly

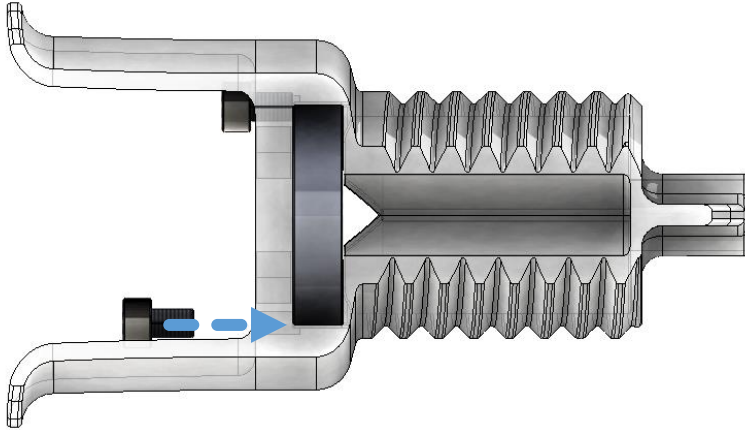
### 2.1 Part list



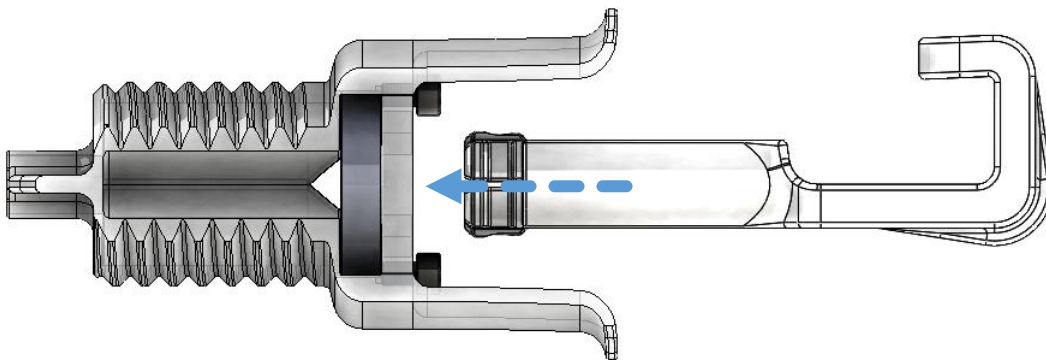
### 2.2 Push in bearing



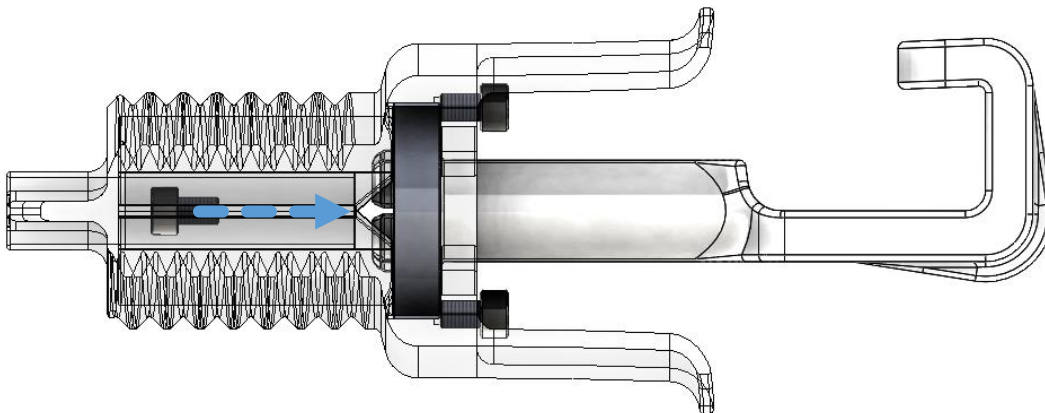
### 2.3 Fix bearing, insert 2x M4x8 screws



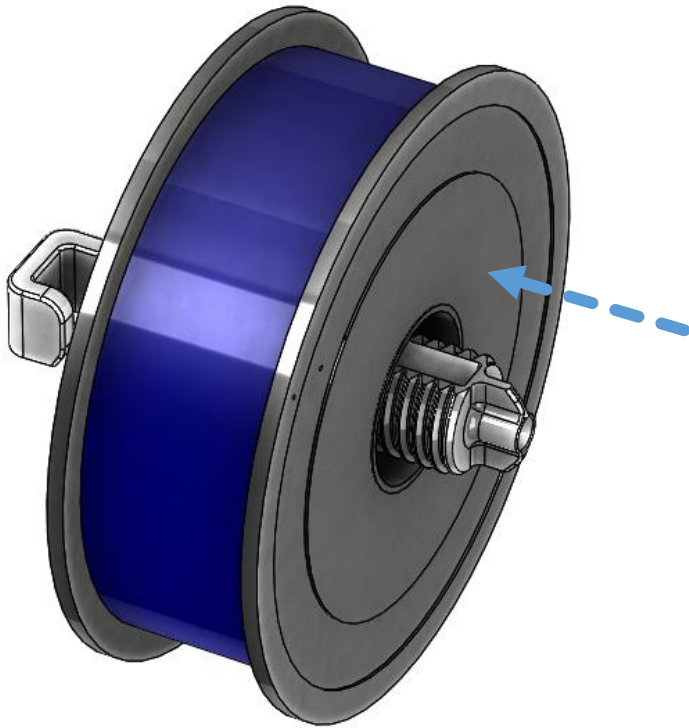
### 2.4 Insert Base



### 2.5 Fix Base



## 2.6 Slide filament roll onto holder



## 2.7 Put locker onto revolver and fix the filament roll

